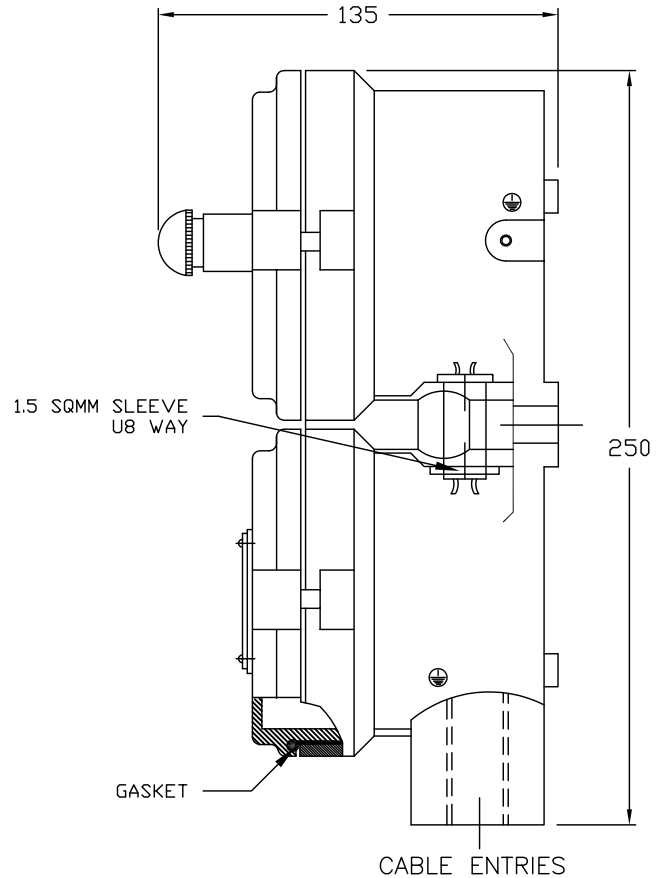


**ELEVATION**



**SIDE VIEW**

**NOTES**

- 1 : GROUPS- IIA & IIB AS PER IS:2148
- 2 : DEGREE OF PROTECTION - IP 66 AS PER IS:2147.
- 3 : MATERIAL - ALUMINIUM ALLOY LM6
- 4 : EARTHING - 1 No. INTERNAL & 2 Nos. EXTERNAL (M6)
- 5 : GASKET - NEOPRENE
- 6 - FINISH : LIGHT GREY TO SHADE 631 OF IS:5 (EPOXY POWDER COATED).
- 7 : TERMINAL BLOCK - 4 Nos. 2.5 Sq.mm
- 8 : CABLE ENTRY - 2 Nos. 3/4" ET
- 9 : RATING - CURRENT: 10A  
VOLTS - 500V AC.  
CONTACT - 1NO+NC
- 10 : "STOP" PUSH BUTTON WILL BE OF PUSH TO LOCK TURN TO RELEASE TYPE

**SPECIAL NOTE:-**

OPTIONAL : KEYLOCKABLE PUSHBUTTON CAN BE PROVIDED

OVERALL DIMENSION : ±10mm

CUSTOMER			TITLE				
PROJECT			<b>FLP-WP EMERGENCY STOP PUSHBUTTON STATION</b>				
CONSULTANT							
DRAWN	SM		<b>SCG Ex d TECH PVT. LTD. CHENNAI-600 032</b>				
CHECKED	DKK						
APPROVED	GK						
SCALE	NTS	FILE REF. CS/1010	CAT.NO. 991010	CMRS CERT No. CMRI/TC/H12 Dt. 11.08.94.	GA.DRG.No. SCG/OF0000/CS1010/0001	REV. 0	DATE 14/11/05