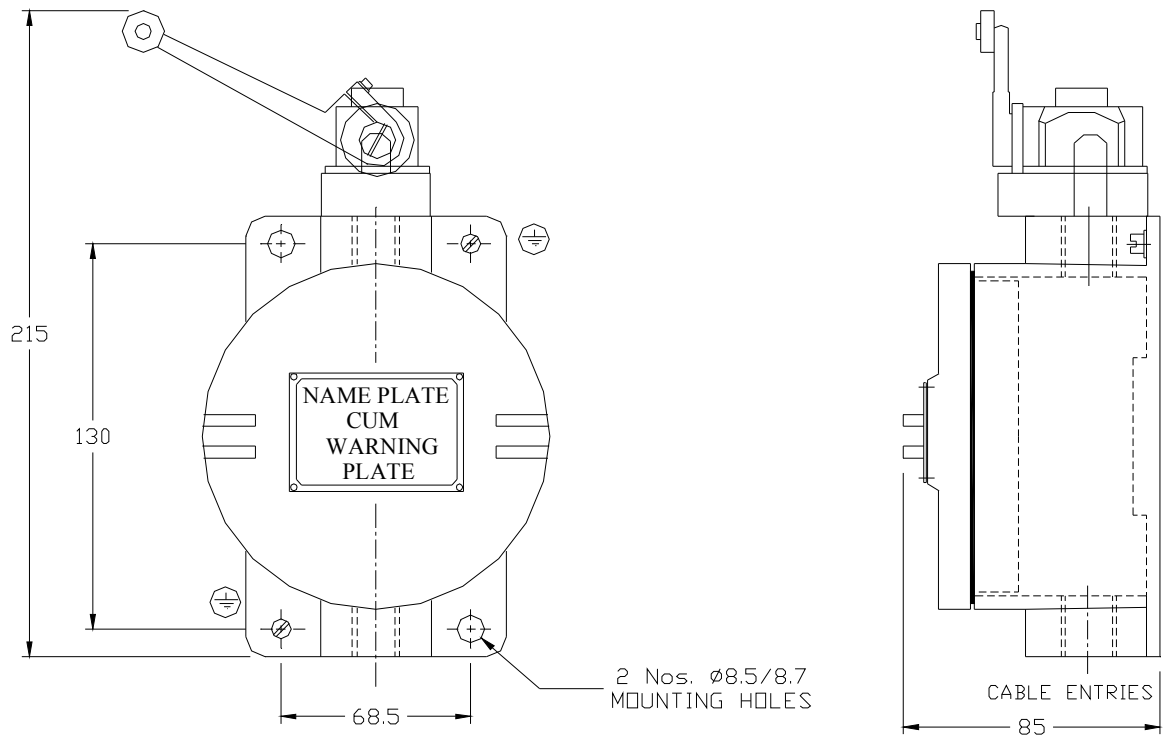


NOTES :-

- 1 : FLAME PROOF GROUPS - IIA & IIB AS PER IS 2148/1981
- 2 : WEATHERPROOF - IP 55 AS PER IS 2147/1962.
- 3 : MATERIAL - CAST ALUMINIUM ALLOY LM6.
- 4 : FINISH - LIGHT GREY TO SHADE 631 OF IS:5 (EPOXY POWDER COATED)
- 5 : EARTHING - 1 No. INTERNAL & 2 Nos. EXTERNAL SCREWS (M6).
- 6 : GASKET - NEOPRENE
- 7 : CABLE ENTRY & GLAND - 1 No. 3/4"ET ENTRY (DIRECT ENTRY TYPE)
- 8 : LIMIT SWITCH - 1NO+1NC, 10A 500V AC (TOP PUSH ROLLER TYPE)

OVERALL DIMENSIONS $\pm 10\text{mm}$

CUSTOMER		TITLE					
PROJECT		FLP-WP LIMIT SWITCH SCG Ex d TECH. PVT. LTD. CHENNAI-600 032					
CONSULTANT							
DRAWN	SM						
CHECKED	DKK						
APPROVED	GK						
SCALE	NTS	FILE REF. CS/153	CAT.NO. LS/A/153	CMRI CERT. No. V/1/1/1004 Dt. 27.12.1989	GA.DRG.No. SCG/OF0000/CS153/0001	REV 0	DATE 14/11/05



NOTES :-

- 1 : FLAMEPROOF - GROUPS-I,IIA & IIB AS IS:2148/1981
- 2 : WEATHERPROOF - IP 55 AS PER IS 2147
- 3 : MATERIAL - CAST ALUMINIUM ALLOY LM6.
- 4 : FINISH - LIGHT GREY TO SHADE 631 OF IS:5
(EPOXY POWDER COATED)
- 5 : EARTHING - 1 No. INTERNAL & 2 Nos. EXTERNAL SCREWS (M6).
- 6 : GASKET - NEOPRENE
- 7 : CABLE ENTRY - 1 No. 3/4"ET ENTRY (DIRECT ENTRY TYPE)
- 8 : LIMIT SWITCH - 1NO+1NC, 10A 500V AC (LEVER TYPE)

OVERALL DIMENSIONS $\pm 10\text{mm}$

CUSTOMER		TITLE					
PROJECT		FLP-WP LIMIT SWITCH SCG Ex d TECH PVT. LTD. CHENNAI - 600032					
CONSULTANT							
DRAWN	SM						
CHECKED	DKK						
APPROVED	GK						
SCALE	NTS	FILE REF.	CAT.NO.	CMRI CERT No.	GA.DRG.No.	REV.	DATE
		CS/153	LS/A/153	V/1/1/1004 Dt. 27.12.89	SCG/OF0000/CS153/0002	0	14/11/05