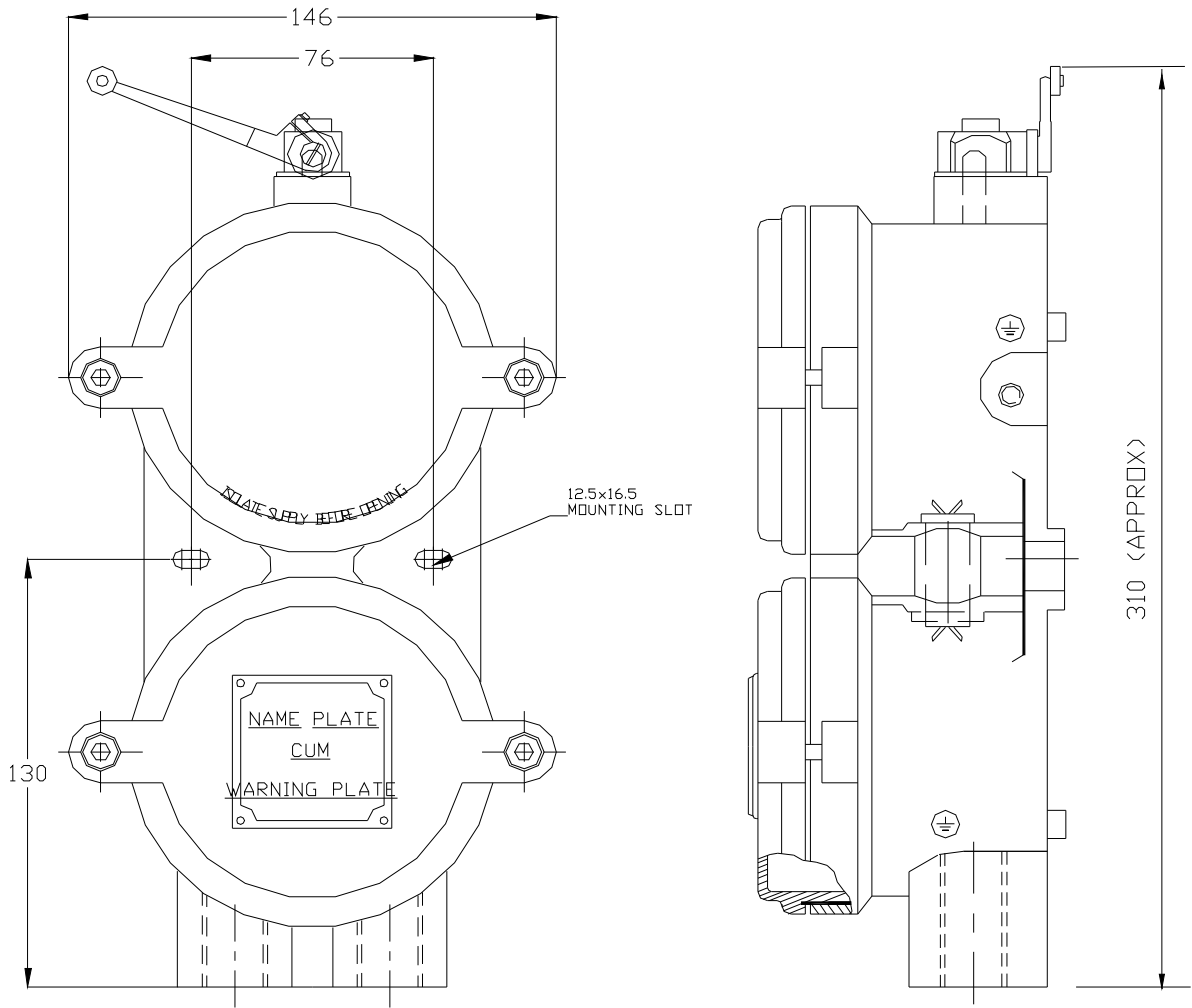


**NOTES**

- 1 : FLAME PROOF – GROUPS–IIA & IIB AS PER IS:2148/1981.
- 2 : WEATHER PROOF – IP 65 AS PER IS:2147/1962.
- 3 : MATERIAL – ALUMINIUM ALLOY LM6.
- 4 : FINISH – LIGHT GREY EPOXY POWDER COATED  
SHADE NO.631 OF IS:5.
- 5 : EARTHING – 1 No. INTERNAL & 2 Nos. EXTERNAL (M6).
- 6 : GASKET – NEOPRENE
- 7 : TERMINAL BLOCKS – 4 Nos. 2.5 Sq.mm
- 8 : CABLE ENTRIES – 2 Nos. 3/4” ET ENTRY.
- 9 : LIMIT SWITCH – 1NO+1NC, 10A 500V AC (TOP PUSH ROLLER TYPE)

OVERALL DIMENSION : ±10mm

CUSTOMER	<b>SCG Ex d TECH PVT. LTD.</b> <b>CHENNAI-600 032</b>						
PROJECT							
CONSULTANT							
DRAWN	SM	TITLE <b>FLP-WP LIMIT SWITCH</b>					
CHECKED	DKK						
APPROVED	GK						
SCALE	NTS	FILE REF. CS/1010	CAT.NO. SC/991010	CMRS CERT No. CMRI/TC/H12 DATED 11.08.94.	GA.DRG.No. SCG/OF0000/CS1010/0001	REV. 0	DATE 14/11/05



**NOTES**

- 1 : FLAME PROOF – GROUPS–IIA & IIB AS PER IS:2148/1981.
- 2 : WEATHER PROOF – IP 65 AS PER IS:2147/1962.
- 3 : MATERIAL – ALUMINIUM ALLOY LM6.
- 4 : FINISH – LIGHT GREY EPOXY POWDER COATED  
SHADE NO.631 OF IS:5.
- 5 : EARTHING – 1 No. INTERNAL & 2 Nos. EXTERNAL (M6).
- 6 : GASKET – NEOPRENE
- 7 : TERMINAL BLOCKS – 4 Nos. 2.5 Sq.mm
- 8 : CABLE ENTRIES – 2 Nos. 3/4” ET ENTRY.
- 9 : LIMIT SWITCH – 1NO+1NC, 10A 500V AC (LEVER TYPE)

OVERALL DIMENSION : ±10mm

CUSTOMER			<b>SCG Ex d TECH PVT. LTD. CHENNAI-600 032</b>				
PROJECT							
CONSULTANT							
DRAWN	SM		<b>FLP-WP LIMIT SWITCH</b>				
CHECKED	DKK						
APPROVED	GK						
SCALE	NTS	FILE REF. CS/1010	CAT.NO. SC/991010	CMRS CERT No. CMRI/TC/H12 DATED 11.08.94.	GA.DRG.No. SCG/0F0000/CS1010/0002	REV. 0	DATE 14/11/05