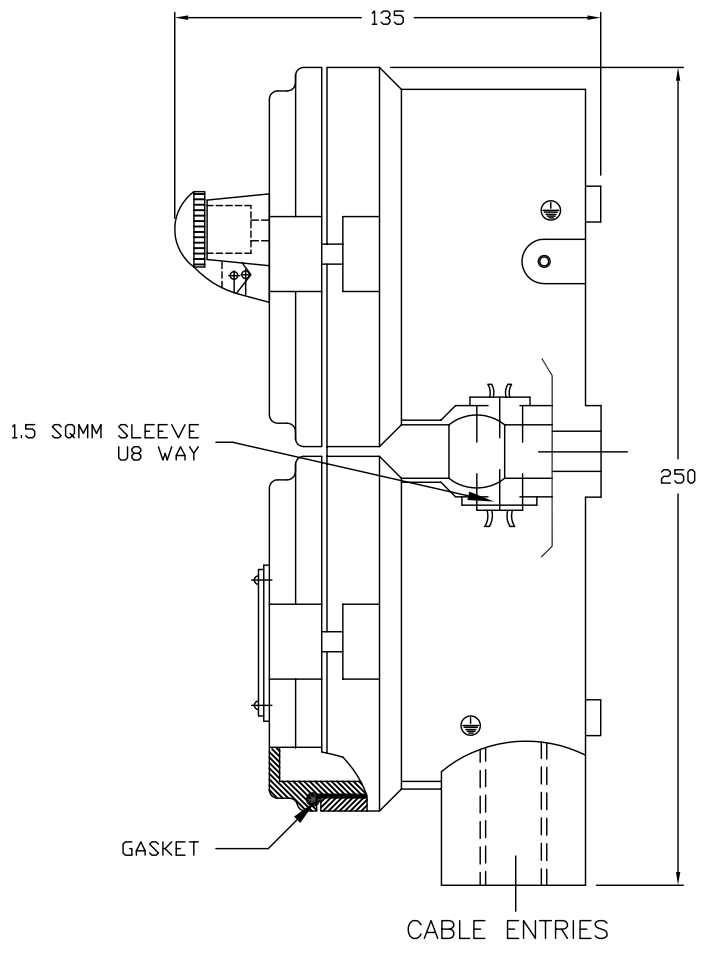


**ELEVATION**



**SIDE VIEW**

**NOTES**

- 1 : GROUPS – IIA & IIB AS PER IS:2148.
- 2 : DEGREE OF PROTECTION – IP 66 AS PER IS:2147.
- 3 : MATERIAL – LM6 ALUMINIUM
- 4 : EARTHING – 1 No. INTERNAL & 2 Nos. EXTERNAL (M6)
- 5 : GASKET – NEOPRENE
- 6 : FINISH – LIGHT GREY TO SHADE 631 OF IS:5  
(EPOXY POWDER COATED).
- 7 : TERMINAL BLOCK – 4 Nos. 2.5 Sq.mm
- 8 : CABLE ENTRY – 2 Nos. 3/4"ET ENTRY
- 9 : RATING – CURRENT– 10A  
VOLTS – 500V AC.  
CONTACT – 1NO+1NC
- 10 : "OFF" PUSH BUTTON WITH PADLOCKABLE TYPE

OVERALL DIMENSION : ±10mm

CUSTOMER		TITLE					
PROJECT		<b>FLP-WP ON/OFF PUSHBUTTON STATION</b>					
CONSULTANT		<b>SCG Ex d TECH PVT. LTD.</b>					
DRAWN	SM	<b>CHENNAI-600 032</b>					
CHECKED	DKK						
APPROVED	GK						
SCALE	NTS	FILE REF. CS/1010	CAT.NO. SC/991010	CMRS CERT No. CMRI/TC/H12 DATED 11.08.94.	GA.DRG.No. SCG/OF0000/CS1010/0001	REV. 0	DATE 14/11/05