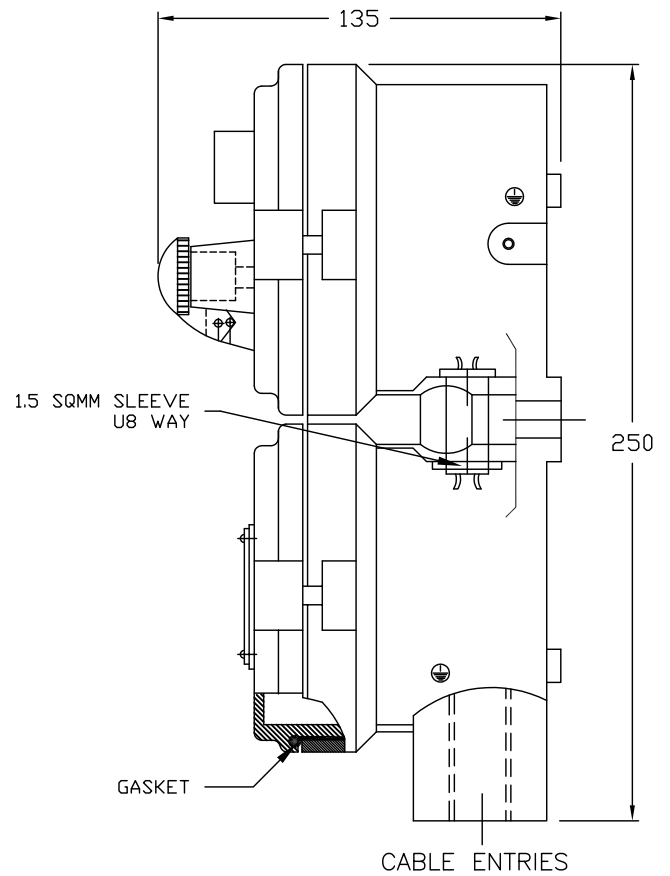


ELEVATION



SIDE VIEW

NOTES

- 1 : GROUPS- IIA & IIB AS PER IS:2148.
- 2 : DEGREE OF PROTECTION - IP 66 AS PER IS:2147.
- 3 : MATERIAL - ALUMINIUM ALLOY LM6
- 4 : EARTHING - 1 No. INTERNAL & 2 Nos. EXTERNAL (M6)
- 5 : GASKET - NEOPRENE
- 6 : FINISH - LIGHT GREY TO SHADE 631 OF IS:5 (EPOXY POWDER COATED).
- 7 : TERMINAL BLOCK - 6 Nos. 2.5 Sq.mm
- 8 : CABLE ENTRY - 2 Nos. 3/4" ET
- 9 : PB ELEMENT - 1NO+1NC CONTACTS
- 10 : "OFF" PUSH BUTTON WILL BE OF PADLOCKABLE/KEYLOCKABLE TYPE, RED COLOUR
- 11 : "ON" PUSH BUTTON OF SPRING RETURN TYPE, GREEN COLOUR
- 12 : "IL" 230V AC INDICATING LAMP, RED COLOUR

OVERALL DIMENSION : ±10mm

CUSTOMER	SCG Ex d TECH PVT. LTD.						
PROJECT	CHENNAI-600 032						
CONSULTANT	TITLE						
DRAWN	SM	FLP-WP ON/OFF PUSH BUTTON					STATION WITH INDICATING LAMP
CHECKED	DKK						
APPROVED	GK						
SCALE	NTS	FILE REF.	CAT.NO.	CMRS CERT No.	GA.DRG.No.	REV.	DATE
		CS/1010	SC/991010	CMRI/TC/H12 DATED 11.08.94.	SCG/OF0000/CS1010/0001	0	14/11/05