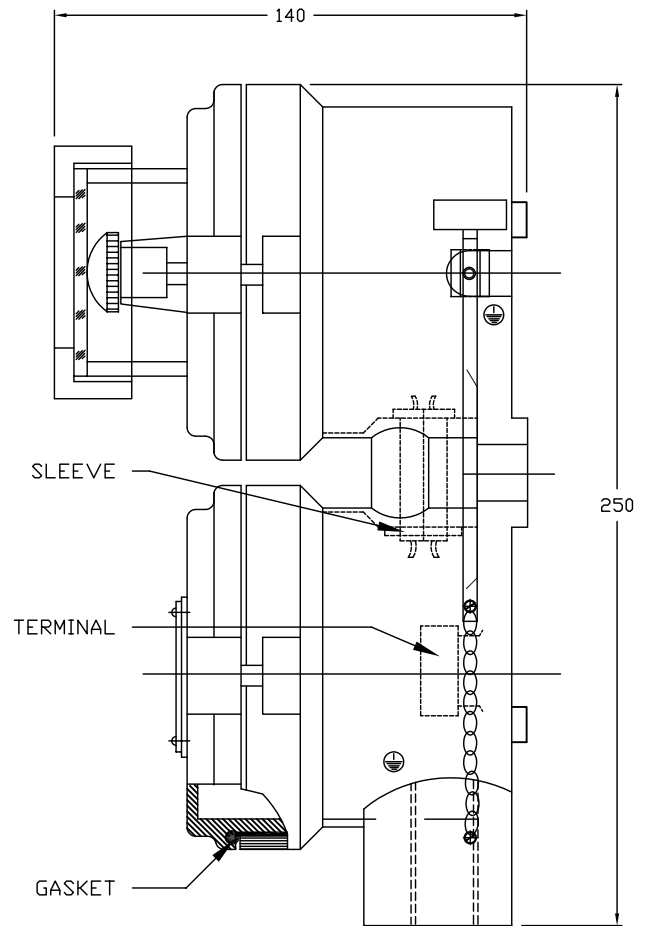


CABLE ENTRIES

**ELEVATION**



**SIDE VIEW**

**NOTES**

- 1 : GROUPS- IIA & IIB AS PER IS:2148.
- 2 : DEGREE OF PROTECTION - IP 66 AS PER IS:2147.
- 3 : MATERIAL - ALUMINIUM ALLOT LM6
- 4 : EARTHING - 1 No. INTERNAL & 2 Nos. EXTERNAL (M6)
- 5 : GASKET - NEOPRENE
- 6 : FINISH - POST OFFICE RED (EPOXY POWDER COATED).
- 7 : TERMINAL BLOCK - 4 Nos. 2.5 Sq.mm
- 8 : CABLE ENTRY - 2 Nos. 3/4" ET
- 9 : RATING - CURRENT: 10A  
VOLTS - 500V AC.  
CONTACT - 1NO+1NC

OVERALL DIMENSION : ±10mm

CUSTOMER		TITLE <b>FLP-WP FIRE ALARM STATION</b> <b>SCG Ex d TECH PVT. LTD.</b> <b>CHENNAI-600 032</b>					
PROJECT							
CONSULTANT							
DRAWN	SM						
CHECKED	DKK	FILE REF.	CAT.NO.	CMRS CERT No.	GA.DRG.No.	REV.	DATE
APPROVED	GK	CS/1010	SC/991010	CMRI/TC/H12 DATED 11.08.94.	SCG/OF0000/CS1010/0001	0	14/11/05