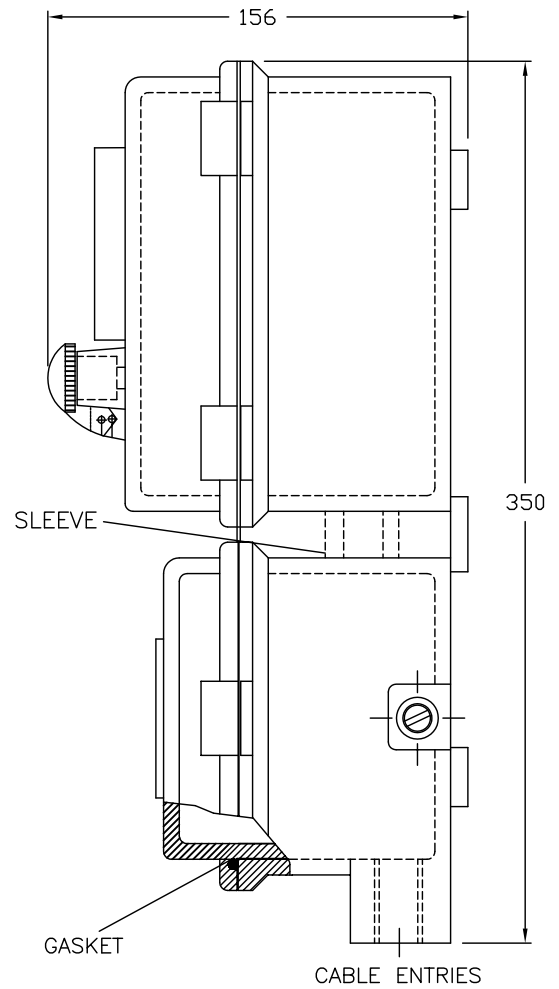


ELEVATION



SIDE VIEW

NOTES

- 1 : FLAME PROOF – GROUPS–IIA & IIB AS PER IS:2148/1981.
- 2 : WEATHER PROOF – IP 65 AS PER IS:2147/1962.
- 3 : MATERIAL – ALUMINIUM ALLOY LM6.
- 4 : EARTHING – 1NO. INTERNAL & 2 NOS. EXTERNAL (M6).
- 5 : GASKET – NEOPRENE
- 6 : FINISH – LIGHT GREY EPOXY POWDER COATED
SHADE NO.631 OF IS:5.
- 7 : TERMINAL BLOCKS – 6 Nos. 2.5 Sq.mm
- 8 : CABLE ENTRIES – 3 Nos. 3/4" ET ENTRY.
- 9 : START PUSH BUTTON WILL HAVE A GREEN KNOB..
- 10 : STOP PUSH BUTTON WILL HAVE A RED MUSHROOM HEAD,
STAYPUT, NECESSARY PADLOCKING/KEYLOCKING ARRGT. IN STOP POSTN.
- 11 : GLASS – HEAT RESISTANT TOUGHENED TYPE 'A'
- 12 : 72 Sq.mm AMMETER CAN BE PROVIDED

OVERALL DIMENSION ±10mm

CUSTOMER		TITLE FLP-WP START/STOP PUSH BUTTON WITH AMMETER SCG Ex d TECH PVT. LTD. CHENNAI-600 032					
PROJECT							
CONSULTANT							
DRAWN	SM						
CHECKED	DKK						
APPROVED	GK						
SCALE	NTS	FILE REF. CS/174	CAT.NO. SC/999174	CMRS CERT No. CMRI/TC/H18 DATED 12.08.94.	GA.DRG.No. SCG/OF0000/CS174/0001	REV. 0	DATE 14/11/05