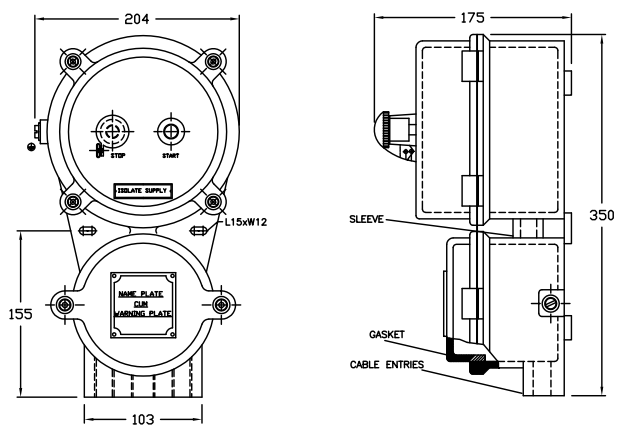
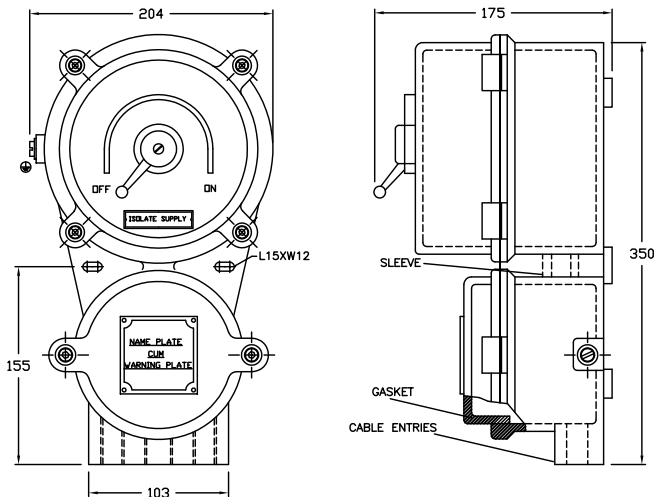


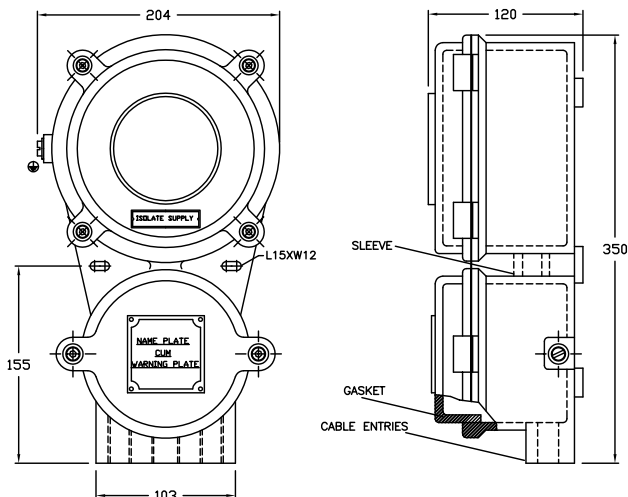
CONTROLGEAR BOX FOR 80W/125W HPMV LAMPS



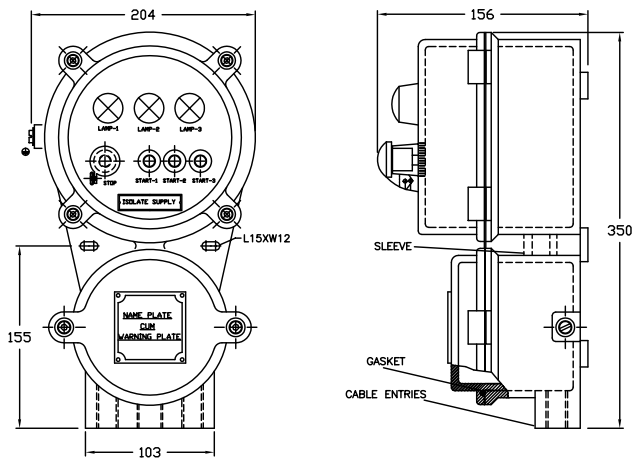
DOL STARTER UPTO 7.5HP WITH START/STOP PB



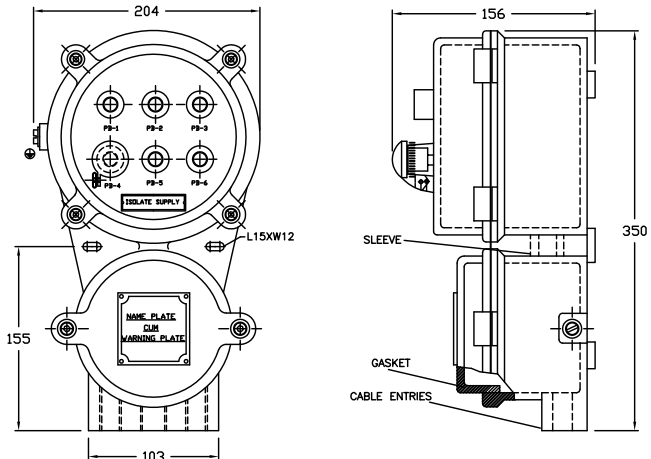
ROTARY SW/SFU/ELCB/MCB/REGULATOR UPTO 40A TPN/4P



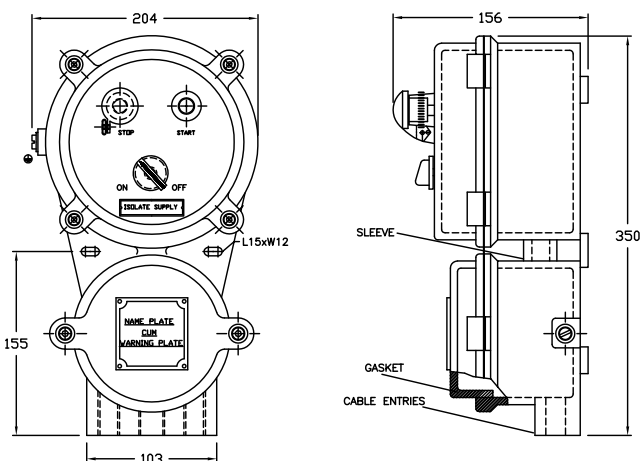
INSTRUMENT ENCLOSURE WITH 96SQMM VOLTMETER/AMMETER



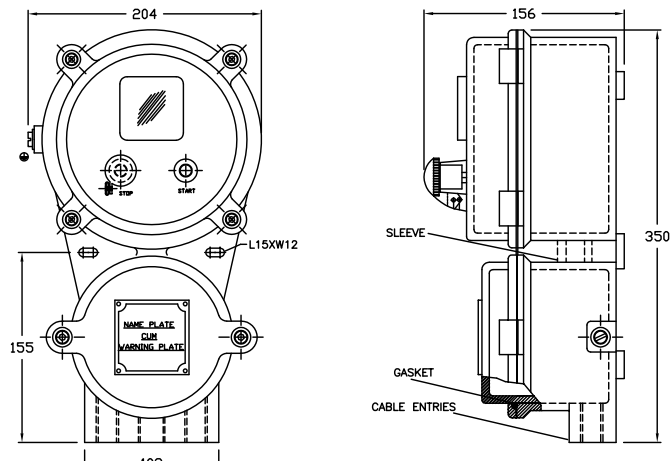
PB STATION WITH 4PB'S AND 3 INDICATING LAMPS



PUSH BUTTON STATION WITH 6PB'S



REMOTE CONTROL STATION WITH 2 PB'S & 1 ISOLATOR



START-STOP PUSH BUTTON WITH 72SQMM AMMETER/VOLTMETER