

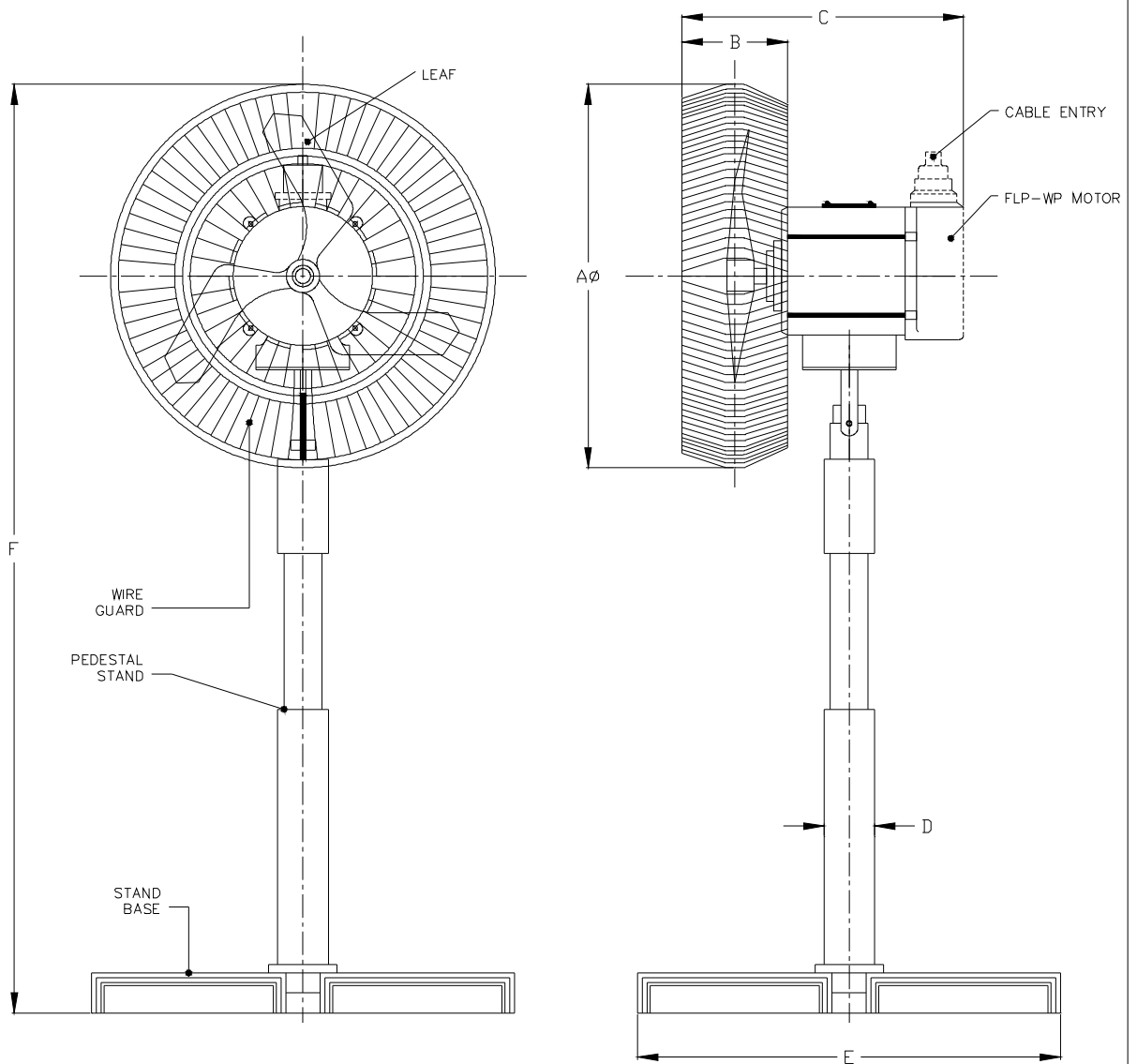
FAN SIZE	Aø	B	C	D
12"	314	330	360	250
15"	388	330	484	250
18"	480	330	580	250
24"	635	360	755	250
30"	787	360	900	250
36"	952	360	1060	250

NOTES:-

- 1 : GROUPS- IIA & IIB AS PER IS: 2148/1981.
- 2 : DEGREE OF PROTECTION - IP 55 AS PER IS: 2147/1962
- 3 : MATERIAL - CAST ALUMINIUM ALLOY LM6
- 4 : EARTHING - 1 No. INTERNAL & 2 Nos. EXTERNAL (LM6)
- 5 : CABLE ENTRY - 1 No. 3/4" BSC
- 6 : MOTOR RATING - 240 / 415 VOLTS, AC 1440 RPM, 50Hz

OVERALL DIMENSION ARE ±10mm

CUSTOMER		TITLE				
PROJECT		<h1>FLAMEPROOF EXHAUST FAN</h1> <h2>SCG Ex d TECH PVT. LTD.</h2> <h3>CHENNAI-600 032.</h3>				
CONSULTANT						
DRAWN	SM					
CHECKED	DKK					
APPROVED	GK					
SCALE	NTS	FILE REF. FAN/140	CAT No. EF/140	GA.DRG.No. SCG/OF0000/FAN140/0001	REV 0	DATE 14/11/05



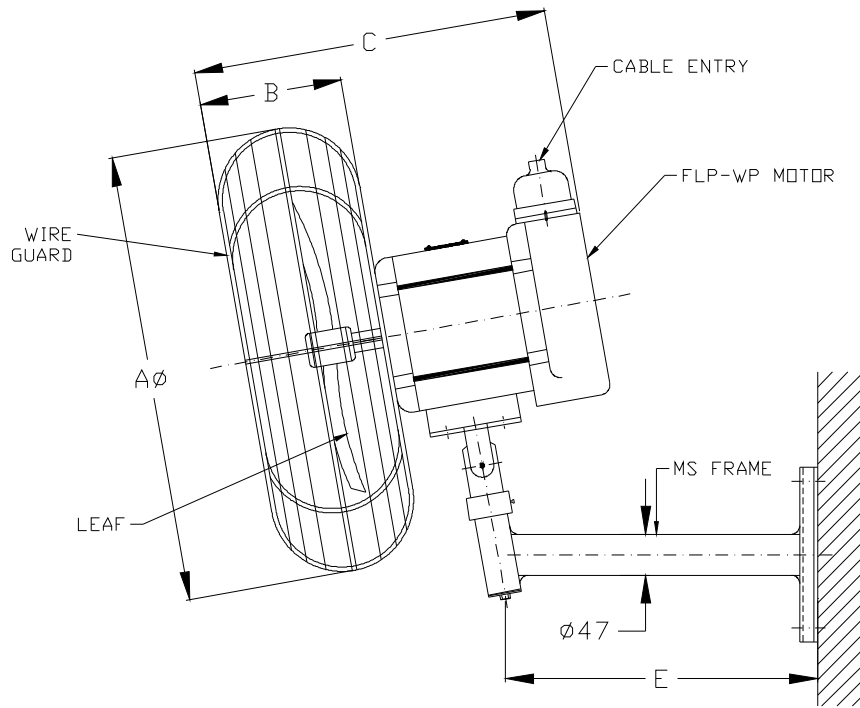
NOTES:-

- 1 : GROUPS- IIA & IIB AS PER IS:2148/1981.
- 2 : DEGREE OF PROTECTION - IP 55 AS PER IS: 2147/1962
- 3 : MATERIAL - CAST ALUMINIUM ALLOY LM6
- 4 : EARTHING - 1 No. INTERNAL & 2 Nos. EXTERNAL (LM6)
- 5 : CABLE ENTRY - 1 No. 3/4" BSC
- 6 : MOTOR RATING - 240 / 415 VOLTS, AC 1440 RPM, 50Hz

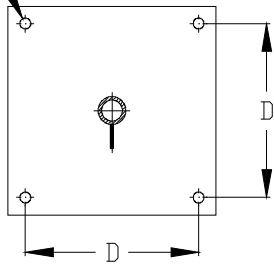
FAN SIZE	AØ	B	C	D	E	F
12"	378	127	432	51	534	1126
16"	485	127	435	51	534	1126
18"	534	127	432	51	534	1126
24"	690	127	437	51	534	1126
30"	850	152	502	51	762	1126
36"	1000	152	502	51	762	1126

OVERALL DIMENSION ARE ±10mm

CUSTOMER		TITLE				
PROJECT		FLAMEPROOF PEDESTAL TYPE AIR CIRCULATOR SCG Ex d TECH PVT. LTD. CHENNAI-600 032.				
CONSULTANT						
DRAWN	SM					
CHECKED	DKK					
APPROVED	GK					
SCALE	NTS	FILE REF. FAN/140	CAT No. PF/140-1	GA.DRG.No. SCG/OF0000/FAN140-1/0002	REV 0	DATE 14/11/05



4xØ12.5
HOLES



FAN SIZE	A ϕ	B	C	D	E
12"	378	127	432	200	405
16"	485	127	432	200	405
18"	534	127	432	200	405
24"	690	127	457	200	405
30"	850	152	508	200	405
36"	1000	152	508	200	405

NOTES:—

- 1 : GROUPS— IIA & IIB AS PER IS:2148/1981.
- 2 : DEGREE OF PROTECTION — IP 55 AS PER IS: 2147/1962
- 3 : MATERIAL — CAST ALUMINIUM ALLOY LM6
- 4 : EARTHING — 1 No. INTERNAL & 2 Nos. EXTERNAL (LM6)
- 5 : CABLE ENTRY — 1 No. 3/4" BSC
- 6 : MOTOR RATING — 240 / 415 VOLTS, AC 1440 RPM, 50Hz

OVERALL DIMENSION ARE ± 10 mm

CUSTOMER			TITLE			
PROJECT			FLAMEPROOF WALL MOUNTING FAN SCG Ex d TECH PVT. LTD. CHENNAI-600 032.			
CONSULTANT						
DRAWN	SM					
CHECKED	DKK					
APPROVED	GK					
SCALE	NTS	FILE REF. FAN/140	CAT No. WMF/140-2	GA.DRG.No. SCG/OF0000/FAN140-2/0003	REV 0	DATE 14/11/05