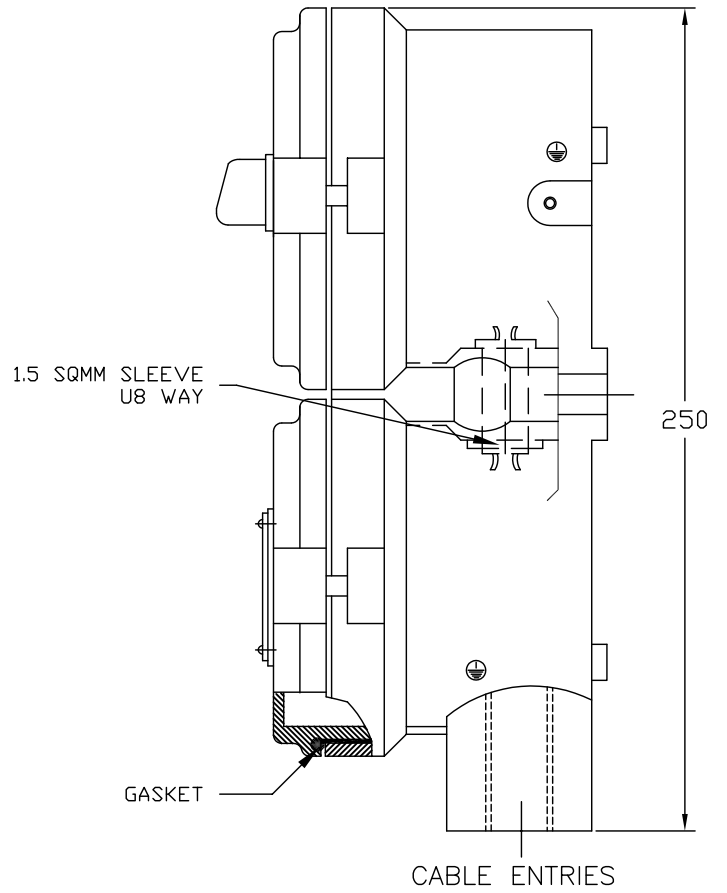


**ELEVATION**



**SIDE VIEW**

**NOTES:-**

- 1 : GROUPS- IIA & IIB AS PER IS:2148.
- 2 : DEGREE OF PROTECTION - IP 66 AS PER IS:2147.
- 3 : MATERIAL - ALUMINIUM ALLOY LM6
- 4 : EARTHING - 1 No. INTERNAL & 2 Nos. EXTERNAL (M6)
- 5 : GASKET - NEOPRENE
- 6 : FINISH - LIGHT GREY TO SHADE 631 OF IS:5 (EPOXY POWDER COATED).
- 7 : TERMINAL BLOCK - 4 Nos. 2.5 Sq.mm
- 8 : CABLE ENTRY - 2 Nos. 3/4" ET ENTRY
- 9 : 1 No. 16A DP/TP ISOLATOR

OVERALL DIMENSION : ±10mm

CONTRACTOR		TITLE						
PROJECT		<b>FLP-WP 16A DP/TP ISOLATOR</b>  <b>SCG Ex d TECH PVT. LTD.</b> <b>CHENNAI-600 032</b>						
CONSULTANT								
DRAWN	SM							
CHECKED	DKK							
APPROVED	GK							
SCALE	NTS	FILE REF. IS/1010	CAT.NO. SC/991010	CMRS CERT No. CMRI/TC/H12 DATED 11.08.94.	GA.DRG.No. SCG/OF1010/IS1010/0001	REV. 0	DATE 14/11/05	