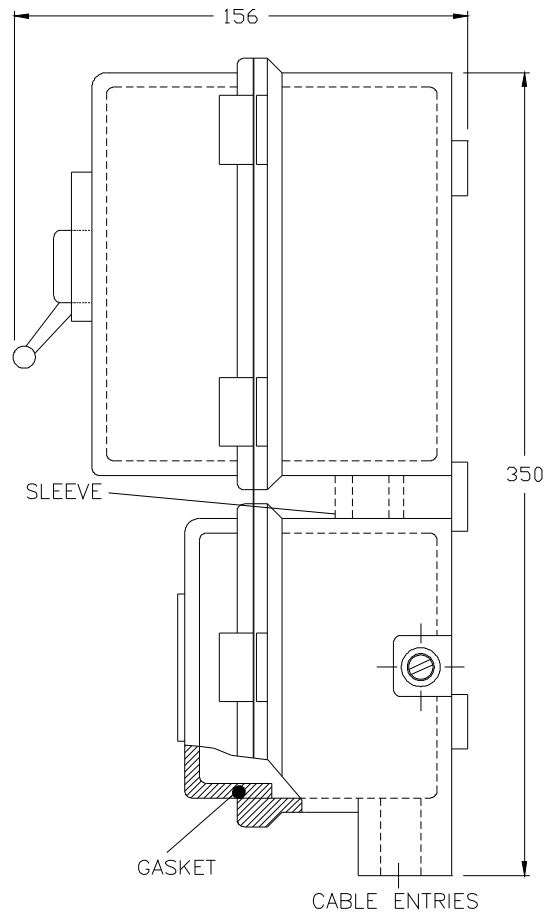


ELEVATION



SIDE VIEW

NOTES

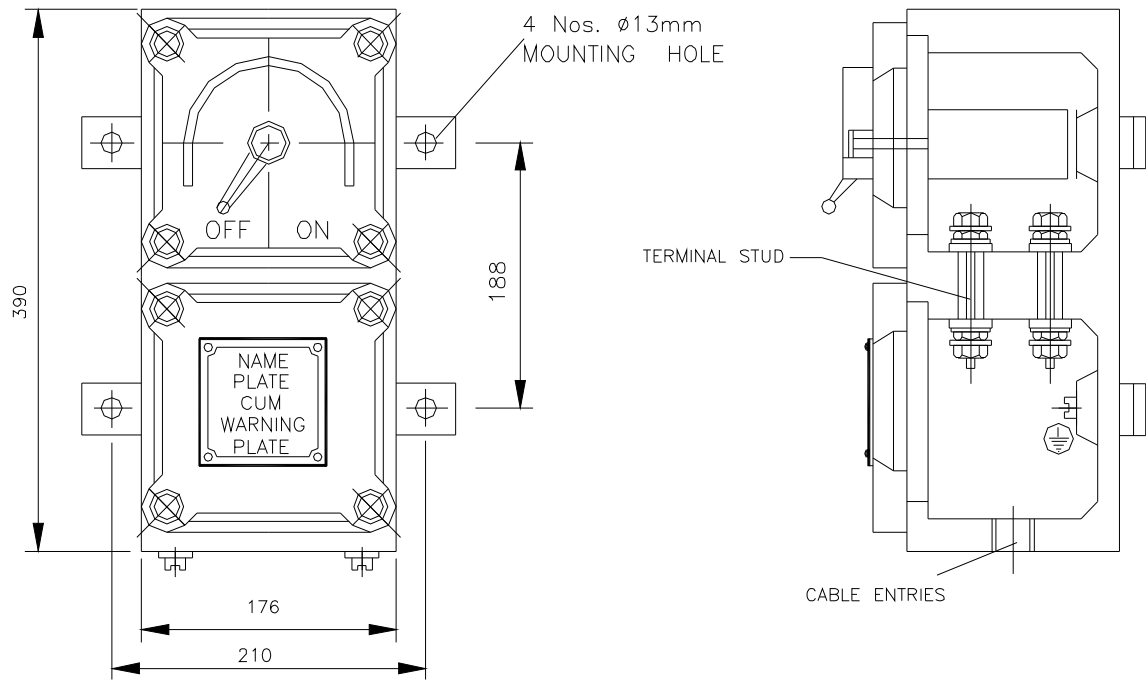
- 1 : FLAME PROOF – GROUPS-IIA & IIB AS PER IS:2148/1981.
- 2 : WEATHER PROOF – IP 65 AS PER IS:2147/1962.
- 3 : MATERIAL – ALUMINIUM ALLOY LM6.
- 4 : EARTHING – 1NO. INTERNAL & 2 NOS. EXTERNAL (M6).
- 5 : GASKET – NEOPRENE
- 6 : FINISH – LIGHT GREY EPOXY POWDER COATED
SHADE NO.631 OF IS:5.
- 7 : TERMINAL BLOCK : 6/8 Nos. 4 Sq.mm
- 8 : CABLE ENTRY : 2 Nos. 1" ET ENTRY
- 8 : 25-32A TP/TPN ISOLATOR

SPECIAL NOTE:-

WE CAN ALSO OFFER SWITCH FUSE UNIT, MCB,MPCB etc

OVERALL DIMENSION : ±10mm

CUSTOMER		TITLE					
PROJECT		FLP-WP 32A TP/TPN ISOLATOR SCG Ex d TECH PVT. LTD. CHENNAI-600 032					
CONSULTANT							
DRAWN	SM						
CHECKED	DKK						
APPROVED	GK						
SCALE	NTS	FILE REF. IS/174	CAT.NO. SC/999174	CMRS CERT No. CMRI/TC/H18 Dt. 12.08.94.	GA.DRG.No. SCG/OF0000/IS174/0001	REV. 0	DATE 14/11/05



NOTE:-

- 1 : FLAME PROOF – GROUPS : IIA & IIB AS PER IS:2148/1981.
- 2 : WEATHER PROOF – IP-55 AS PER IS:2147/1962.
- 3 : MATERIAL – CAST ALUMINIUM ALLOY LM6.
- 4 : FINISH – LIGHT GREY EPOXY SHADE No. 631 OF IS:5.
- 5 : EARTHING – 1 No. INTERNAL & 2 Nos. EXTERNAL (M6).
- 6 : TERMINAL BLOCK – 8 Nos. M5 STUD TYPE TERMINAL
- 7 : CABLE ENTRIES – 2 Nos. 1"ET ENTRY
- 8 : 1 No. 63A TP/TPN ISOLATOR

SPECIAL NOTE:-

WE CAN ALSO OFFER SWITCH FUSE UNIT, MCB,MPCB etc

OVERALL DIMENSION : ±10mm

CUSTOMER		TITLE					
PROJECT		FLP-WP 63A TP/TPN ISOLATOR					
CONSULTANT		SCG Ex d TECH PVT. LTD.					
DRAWN	SM	CHENNAI-600 032					
CHECKED	DKK						
APPROVED	GK						
SCALE	NTS	FILE REF. IS/138	CAT.NO. 138	CMRS CERT No. CMRI/TC/H507 DATED 02.04.97.	GA.DRG.No. SCG/OF0000/IS138/001	REV. 0	DATE 14/11/05