

DETAILS:-

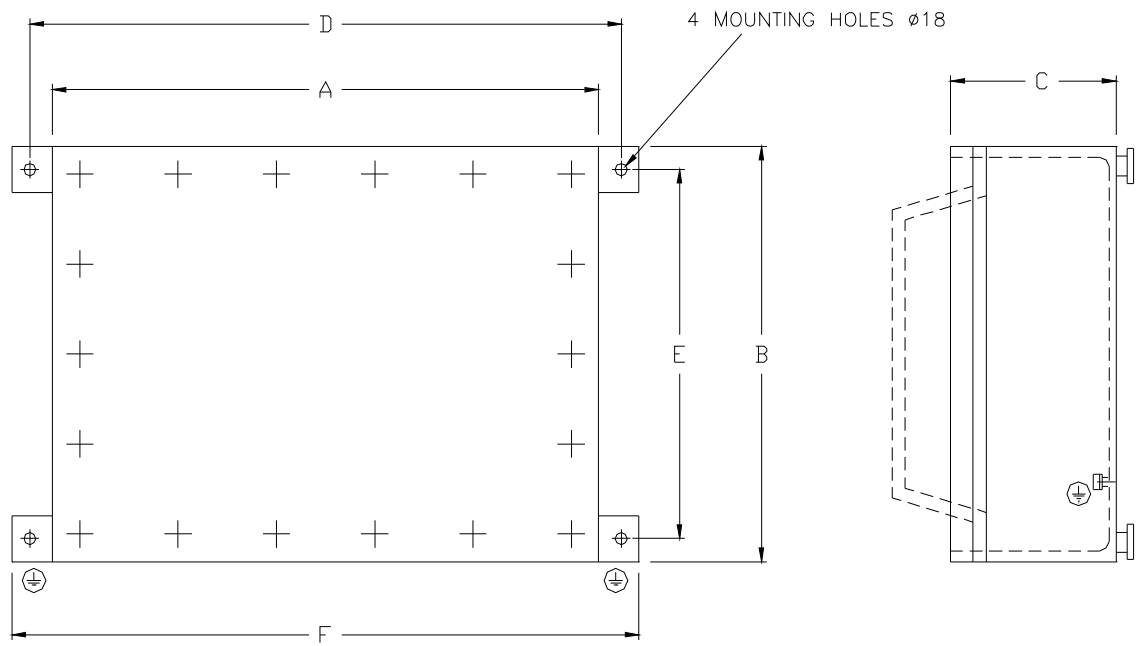
- 1 : FLAME PROOF - IIA & IIB AS PER IS:2148/1981
- 2 : WEATHER PROOF - IP 65 AS PER IS:2147/1962
- 3 : MATERIAL - CAST ALUMINIUM ALLOY LM6
- 4 : EARTHING - 1 INTERNAL & 2 EXTERNAL SCREWS ARE PROVIDED
- 5 : GASKET - NEOPRENE
- 6 : FINISH - LIGHT GREY SHADE TO IS:5
- 7 : CABLE ENTRY / TERMINAL BLOCKS - AS PER CUSTOMER REQUIREMENT
- 8 : JUNCTION BOX CAN ALSO BE GIVEN WITH DOMED COVER
- 9 : JUNCTION BOX CAN BE USED AS A INSTRUMENT INCLOSURE WITH HARD TOUGHENED FLAT GLASS OF THICKNESS 10MM AND DIA AS MENTIONED BELOW
- 10 : DIMENSION DETAILS : ALL ARE IN MM

ITEM No.	A	B	C	D	E	INTERNAL DIMENSION	GLASS OF ϕ	No. OF TERMINALS 2.5 Sq.mm
1	180	180	150	285	140/185/235	155x155x110/160/210	125	UPTO 20 TERMINALS
2	250	250	215	355	140/185/235	225x225x110/160/210	195	UPTO 30 TERMINALS
3	280	280	250	385	140/170/200/245	255x255x110/140/170/210	255	UPTO 40 TERMINALS
4	425	425	375	550	185/235/335	400x400x160x210x310	355	UPTO 100 TERMINALS

* WE CAN PROVIDE SQUARE / RECTANGULAR GLASS ALSO AS PER CUSTOMER REQUIREMENT
 WE CAN ALSO PROVIDE CABLE ENTRY FROM BACK SIDE

OVERALL DIMENSION : ± 10 mm

CUSTOMER		TITLE						
PROJECT		FLP-WP JUNCTION BOX/ INSTRUMENT ENCLOSURE						
CONSULTANT								
DRAWN	SM	SCG Ex d TECH PVT. LTD. CHENNAI-600 032						
CHECKED	DKK							
APPROVED	GK							
SCALE	NTS	FILE REF. JB/186	CAT.NO. JB/99186	CMRS CERT No. CMRI/TC/P/H871 DATED 09.07.99	GA.DRG.No. SCG/OF0000/JB186/0001	REV. 0	DATE 14/11/05	



FRONT VIEW

SIDE VIEW

DIMENSION DETAILS IN mm :

SL. No.	A	B	C	D	E	F	INTERNAL DIMENSION	
							WITH FLAT COVER	WITH DOMED COVER
1	600	450	210	700	400	750	570x420x170	570x420x260
2	450	450	210	550	400	600	420x420x170	420x420x260
3	450	350	210	550	300	600	420x320x170	420x320x260

NOTES :

- 1 : FLAME PROOF GROUPS - IIA & IIB AS PER IS 2148/1981
- 2 : DEGREE OF PROTECTION - IP:65 AS PER IS:2147
- 3 : MATERIAL - CAST ALUMINIUM ALLOY LM 6
- 4 : EARTHING - 1 No.INTERNAL & 2 EXTERNAL SCREWS ARE PROVIDED
- 5 : GASKET - NEOPRENE
- 6 : FINISH - LIGHT GREY TO SHADE 631 OF IS 5
- 7 : CABLE ENTRY / TERMINAL BLOCKS - AS PER CUSTOMER REQUIREMENT
- 8 : DOORS ARE HINGED TYPE WITH S.S. HINGES.
- 9 : JUNCTION BOX CAN ALSO BE GIVEN WITH DOMED COVER
- 10 : CABLE ENTRY CAN BE PROVIDED FROM BACK SIDE ALSO.
- 11 : ABOVE 100 TERMINALS OF 2.5 Sq.mm CAN BE ACCOMMODATED

OVERALL DIMENSION : ±10mm

CUSTOMER			TITLE					
PROJECT			FLP-WP MULTIPLE ENTRY JUNCTION BOX					
CONSULTANT			SCG Ex d TECH PVT. LTD. CHENNAI-600 032					
DRAWN	SM							
CHECKED	DKK							
APPROVED	GK							
SCALE	NTS	FILE REF. JB/1001	CAT.NO. SC/DB/1001	CMRS CERT No. CMRI/TC/H791 DATED 10.07.96	GA.DRG.No. SCG/OF0000/JB1001/0001	REV. 0	DATE 14/11/05	