

**NOTES :**

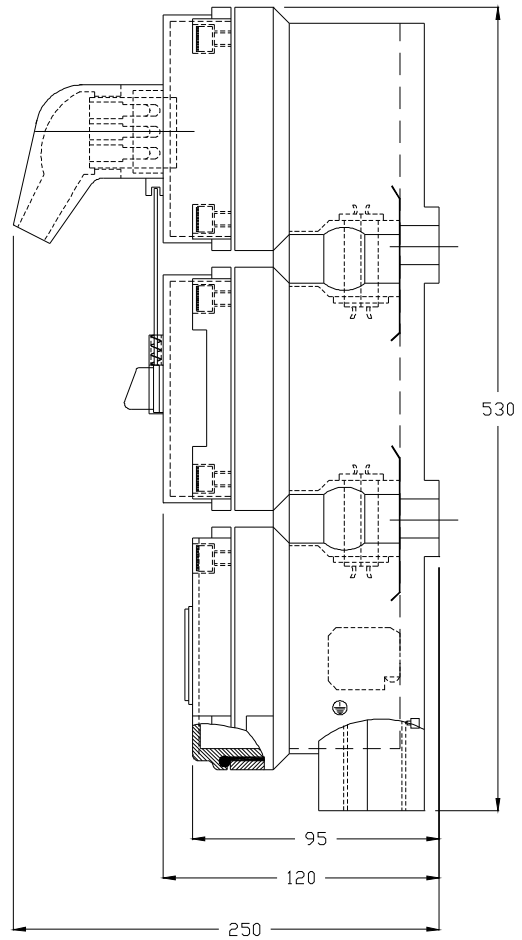
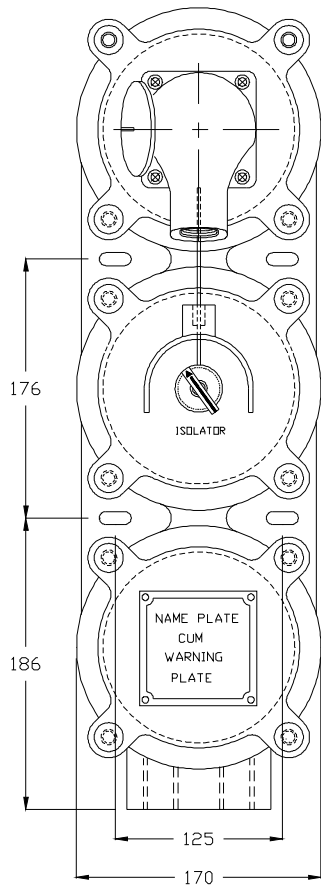
- 1 : FLAME PROOF – GROUPS–IIA & IIB AS PER IS: 2148/1981.
- 2 : WEATHER PROOF – IP: 65 AS PER IS:2147/1962.
- 3 : MATERIAL – ALUMINIUM ALLOY LM6.
- 4 : EARTHING – 1 No. INTERNAL & 2 Nos. EXTERNAL (M6).
- 5 : GASKET – NEOPRENE.
- 6 : FINISH – LIGHT GREY EPOXY SHADE NO. 631 OF IS:5.
- 7 : TERMINAL BLOCK – 4 Nos. 2.5 Sq.mm
- 8 : CABLE ENTRY – 2 Nos. 3/4” ET ENTRY (SUITABLE FOR CABLE TERMINATION UPTO 4 Sq.mm CABLE)
- 9 : SWITCH – 16A DP/TP
- 10 : THE PLUG CANNOT BE REMOVED WHEN THE SWITCH IS IN THE 'ON' POSITION AND CAN BE WITHDRAWN, ONLY WHEN THE SWITCH IS IN THE 'OFF' POSITION.

**SPECIAL NOTE :**

WE CAN ALSO OFFER MCB,ELMCB etc. INSTEAD OF ISOLATOR

OVERALL DIMENSION : ±10mm

PROJECT		TITLE					
CONTRACTOR		<b>FLP-WP 16A SWITCH PLUG &amp; SOCKET COMBINED (2P+E/3P+E)</b>					
CONSULTANT							
DRAWN	SM	<b>SCG Ex d TECH PVT. LTD. CHENNAI-600 032</b>					
CHECKED	DKK						
APPROVED	GK						
SCALE	NTS	FILE REF. PS/1011	CAT.NO. 1011	CMRS CERT No. V/1/1/168 DT. 02.05.1991	GA.DRG.No. SCG/OF0000/PS1011/0001	REV. 0	DATE 14/11/05



**NOTES :**

- 1 : FLAME PROOF GROUPS - I,IIA & IIB AS PER IS:2148
- 2 : DEGREE OF PROTECTION - IP:65 AS PER IS:2147
- 3 : MATERIAL - ALUMINIUM ALLOY LM6
- 4 : EARTHING - 1 No. INTERNAL & 2 Nos. EXTERNAL SCREWS ARE PROVIDED
- 5 : GASKET - NEDPRENE
- 6 : FINISH - LIGHT GREY TO SHADE 631 OF IS:5 (EPOXY POWDER COATED)
- 7 : TERMINAL BLOCK - 6 Nos. 2.5 Sq.mm
- 8 : CABLE ENTRY - 2 Nos. 1" ET ENTRY (SUITABLE FOR CABLE TERMINATION UPTO 6 Sq.mm CABLE)
- 9 : 16-32A TP/TPN ISOLATOR

**SPECIAL NOTE :**

WE CAN ALSO OFFER MCB,ELMCB etc. INSTEAD OF ISOLATOR

OVERALL DIMENSION : ±10mm

CUSTOMER		TITLE		<b>FLP - WP 16A/32A SWITCH PLUG &amp; SOCKET COMBINED (3P+N+E)</b>  <b>SCG Ex d TECH PVT. LTD.</b> <b>CHENNAI-600 032</b>				
CONSULTANT								
DRAWN	SM							
CHECKED	DKK							
APPROVED	GK			CAT.NO.	CMRS CERT No.	GA.DRG.No.	REV.	DATE
SCALE	NTS	FILE REF. PS/187	SS/99187	CMRI/TC/P/H846 Dt. 30.06.99	SCG/OF1010/PS187/0002	0	14/11/05	